

RFCOMPONENTS.COM.AU

## Reactive Splitter Combiners

## RFSC550-6000-X-NF

550 MHz - 6000 MHz, N Type Female, 2, 3 and 4 Way

**LOW PIM SERIES**

### ELECTRICAL SPECIFICATION

Model No.	RFSC550-6000-2-NF	RFSC550-6000-3-NF	RFSC-550-6000-4-NF
Splitter	2way	3way	4way
Frequency	550-6000MHz		
Insertion loss	3dB	dB	6 dB
Return Loss	17.7 dB min		
Split loss	≤ 0.3dB	≤ 0.6 dB	≤1 dB
Power handling	300W CW max		
IMD@2*43dBm(900 MHz, 1800MHz, 3500MHz)	153 dBc typ. ,150dBc min		
Impedance	50Ω		

### MECHANICAL SPECIFICATION

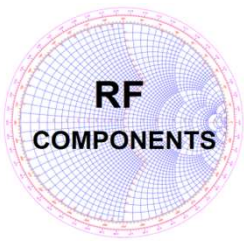
RF Connectors	N-female All Ports
RF Connectors Configuration	See outline
Weight	1.0 Kg max
Dimensions	See outline
Outside finish	Powder Coating
Product Configuration	Single unit
Mounting option	Screws
Mounting orientation	Any
Ground screw	N/A

### PACKAGING SPECIFICATION

Applicable standard	NEBS GR-63-CORE
---------------------	-----------------

### ENVIRONMENTAL SPECIFICATION

Operating Temperature Range	-25°C to +70°C
Storage Temperature Range	-40°C to +85°C
Relative humidity	95% max
IP Class	IP65 for indoor or outdoor



RFCOMPONENTS.COM.AU

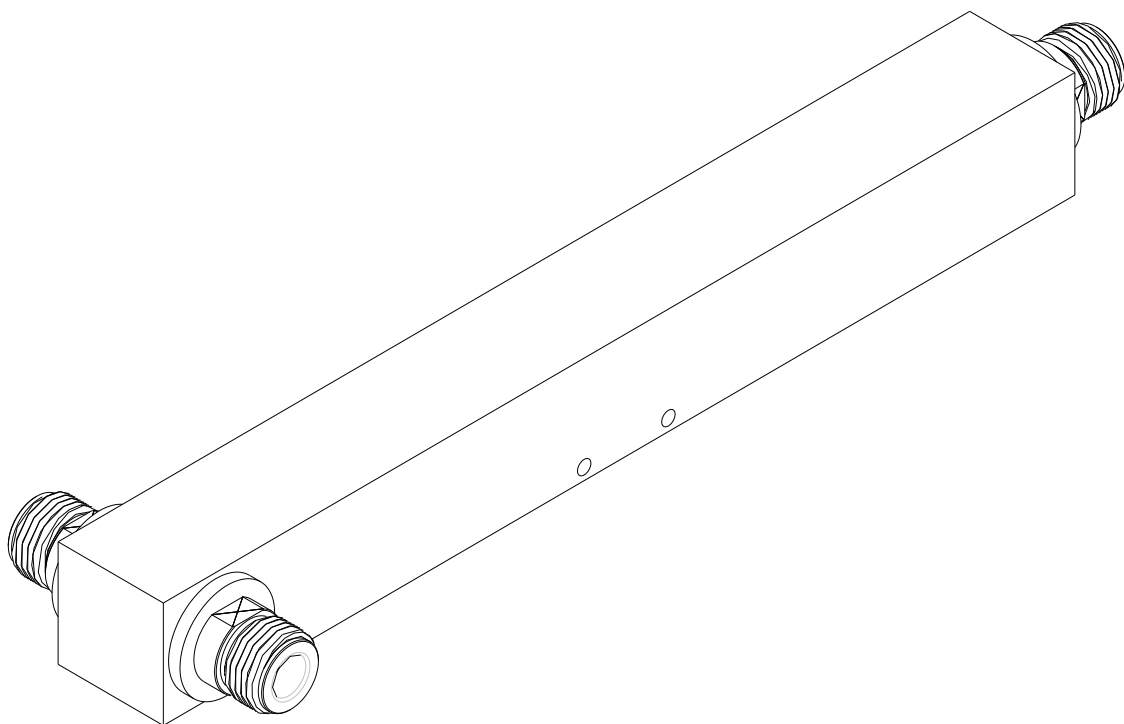
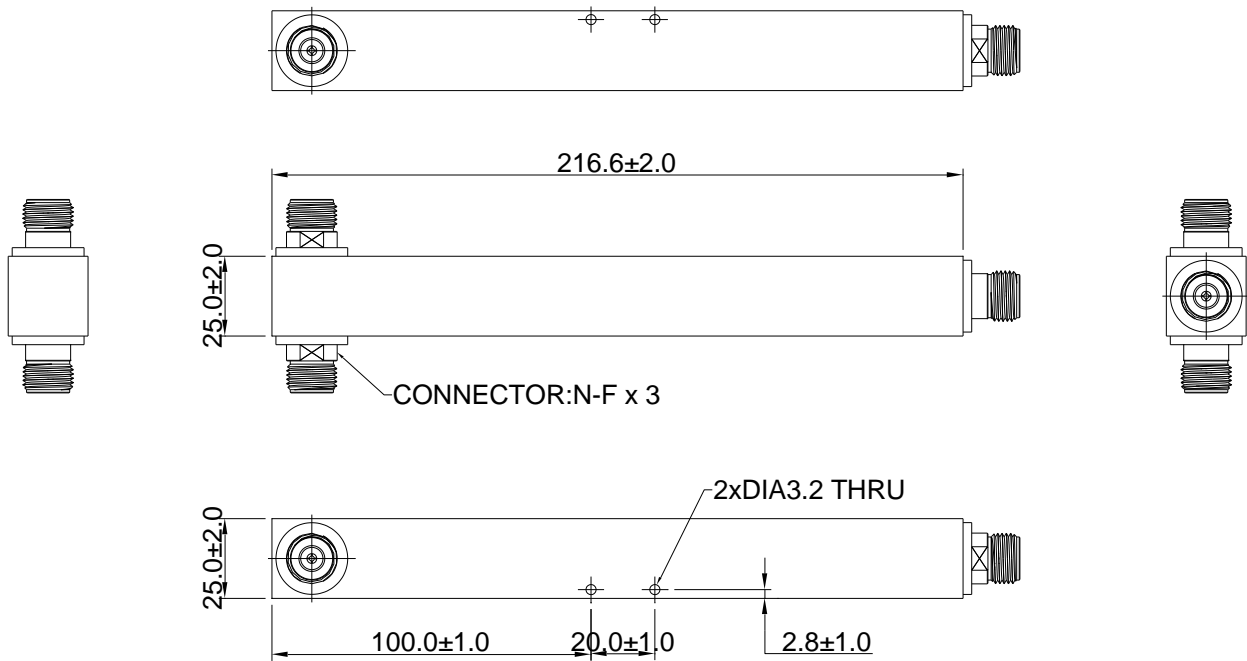
## Reactive Splitter Combiners

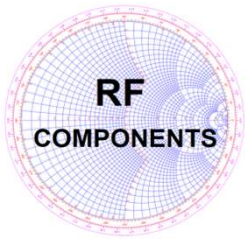
RFSC550-6000-X-NF

550 MHz - 6000 MHz, N Type Female, 2, 3 and 4 Way

LOW PIM SERIES

### Outline for 2 Way Splitter, N female





RFCOMPONENTS.COM.AU

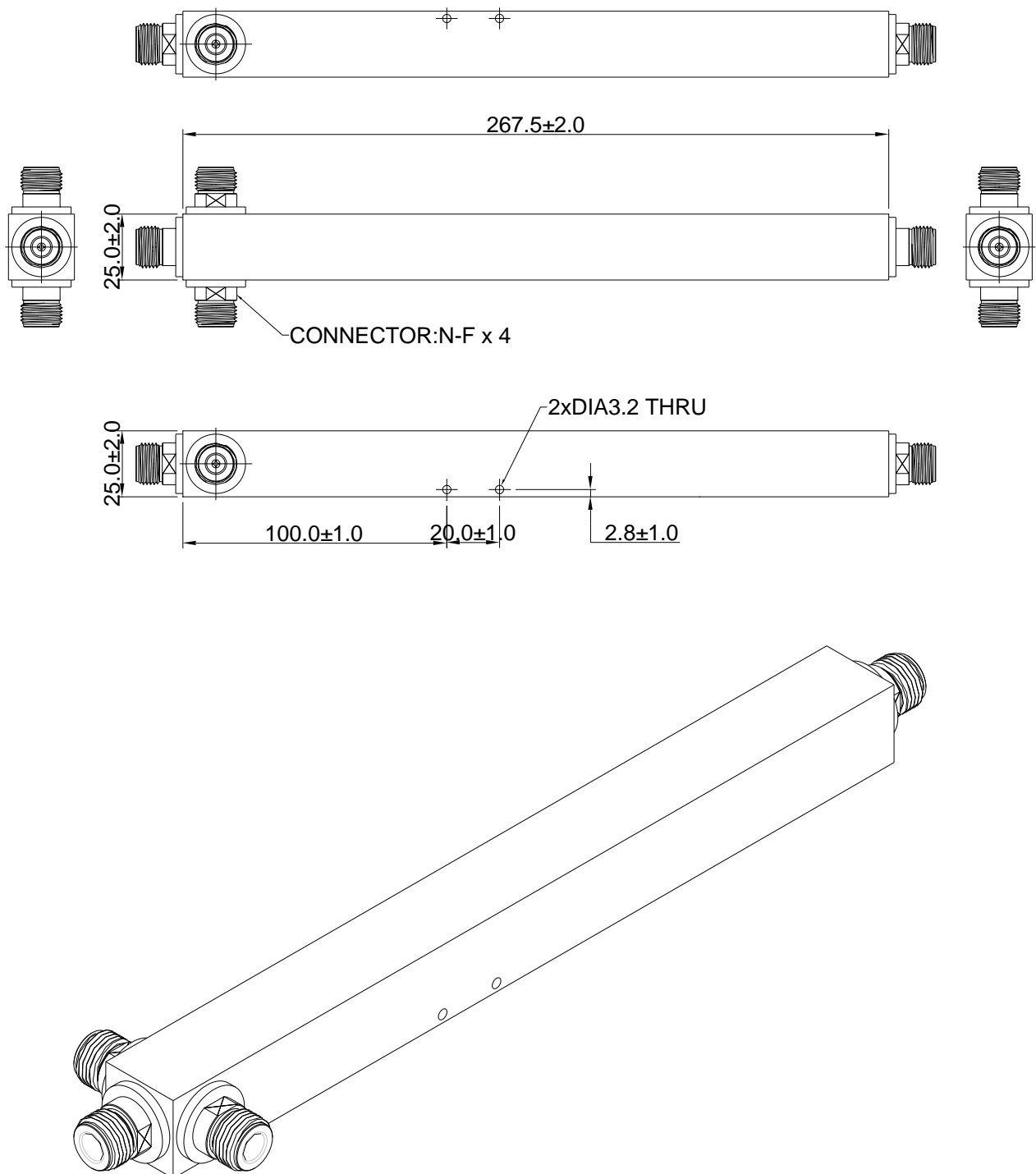
## Reactive Splitter Combiners

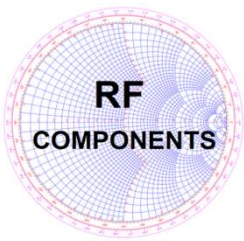
RFSC550-6000-X-NF

550 MHz - 6000 MHz, N Type Female, 2, 3 and 4 Way

LOW PIM SERIES

### Outline for 3 Way Splitter, N female





RFCOMPONENTS.COM.AU

## Reactive Splitter Combiners

**RFSC550-6000-X-NF**

550 MHz - 6000 MHz, N Type Female, 2, 3 and 4 Way

**LOW PIM SERIES**

### Outline for 4 Way Splitter, N female

